



Design the geometry.
We build the system.

 **DEEPO.com**

Distributed by Craftwood

Intro

Custom steel and glass systems designed for architectural flexibility.

Deepo offers fully made-to-measure interior solutions - from single doors to full wall partitions.

Craftwood provides full support: technical guidance, shop drawings, and project coordination.

Every system can be fully customized to your project geometry, dimensions, and wall conditions.



Made to measure. No standard limitations.

Why Architects Choose Craftwood

From concept to execution - we support your design at every stage.



Design & Technical Support

We help refine your concept and ensure technical feasibility.



Shop Drawings

Detailed drawings based on your plans - ready for execution.



Wall Integration

We adapt systems to your specific wall assemblies.



Fast Quoting

Quick turnaround to keep your project moving.



Fully Custom Solutions

No standard sizes - everything built around your design.

We translate your design into a fully buildable system.

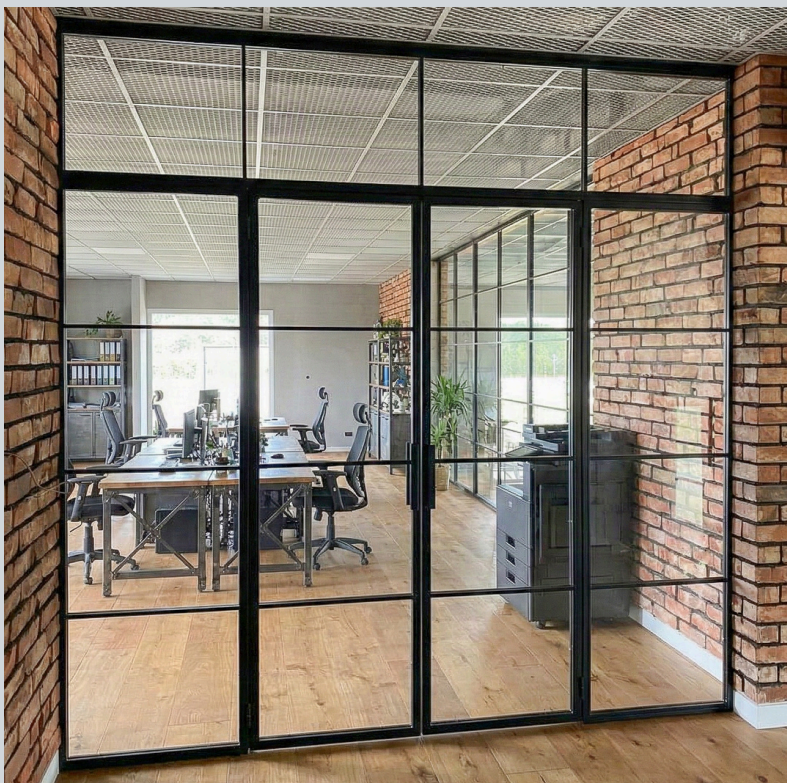


System Capabilities

Made to measure. No standard limitations.

Flexible systems for modern interiors

Designed to divide space without blocking light — from single doors to full glass partitions, suitable for both residential and commercial environments.



SYSTEM TYPES

- Hinged
- Sliding
- Pivot
- Fixed



DESIGN OPTIONS

- Glass
- Layouts
- Finishes



TECHNICAL SUPPORT

- Shop drawings
- Wall integration
- Project coordination

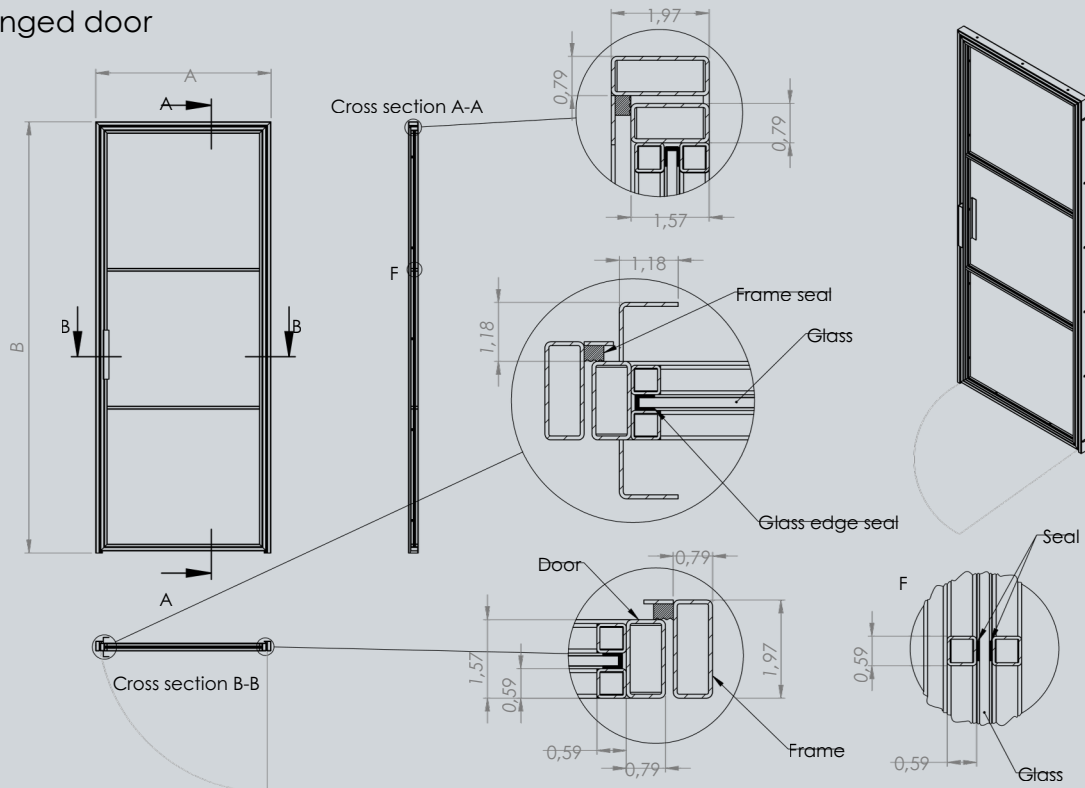
Single Hinged Door

Hinged system | Single / Double | Residential use

A refined solution for dividing space while preserving light and openness. Ultra-slim steel profiles, available in single or double-leaf configurations with traditional or minimalist hardware. Ideal for bedrooms, vestibules, and private interiors.



Single hinged door



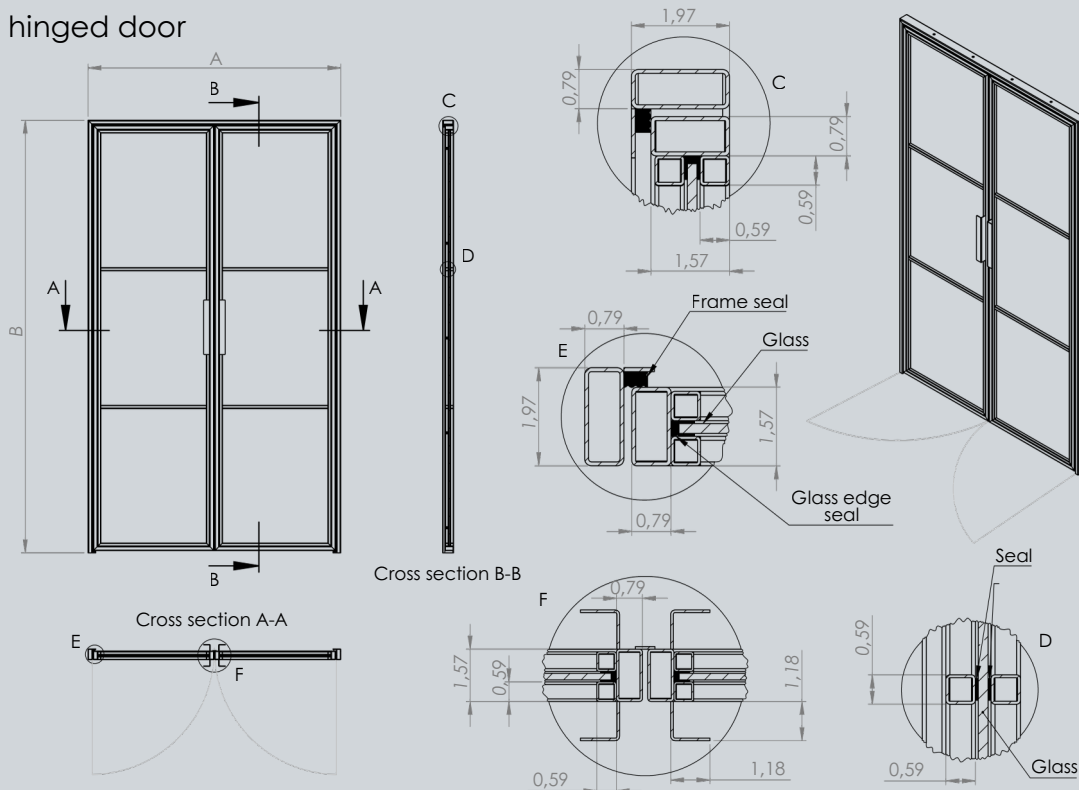
Double Hinged Door

Hinged system | Single / Double | Residential use

A double hinged door creates a wider, more representative opening while preserving the lightness of glass and slim steel profiles. Ideal for spaces that require both functionality and architectural presence.



Double hinged door



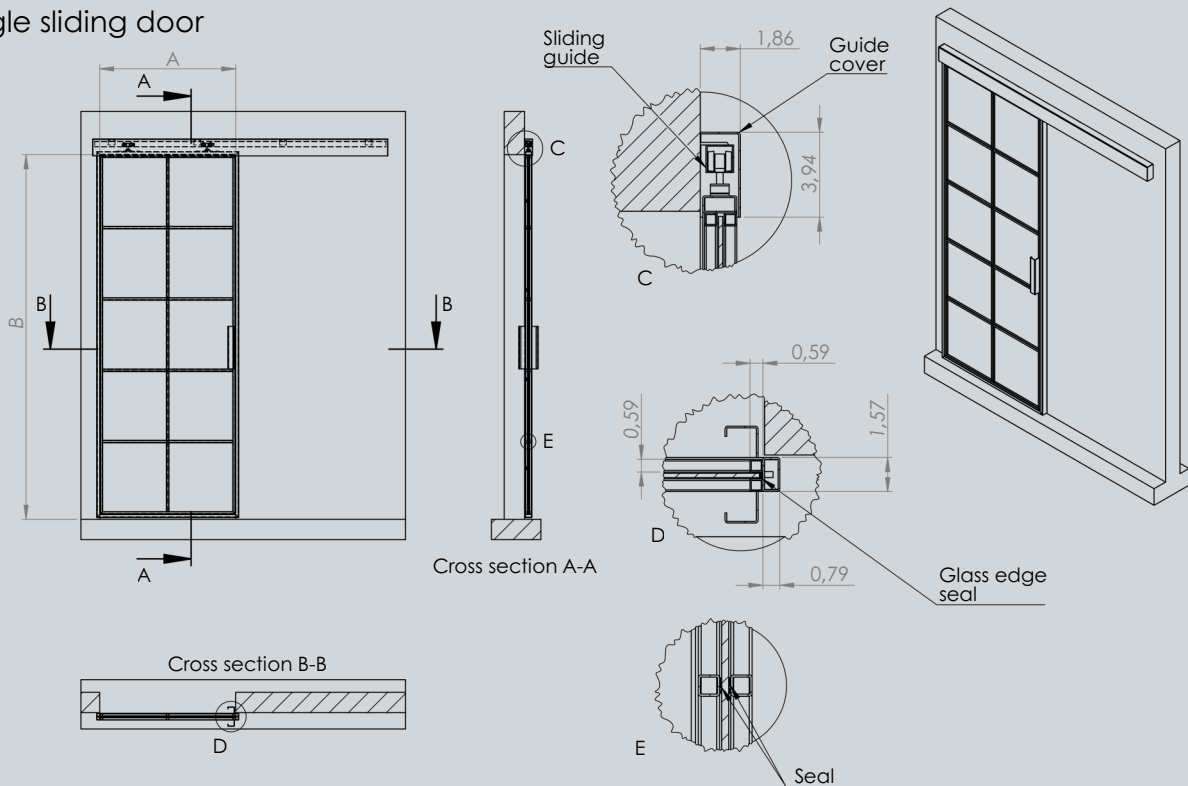
Single Sliding Door

Sliding system | Space-saving | Soft-close available

A refined, space-saving solution without compromising design. With smooth soft-close operation, sliding systems are ideal where hinged doors would take up valuable space.



Single sliding door



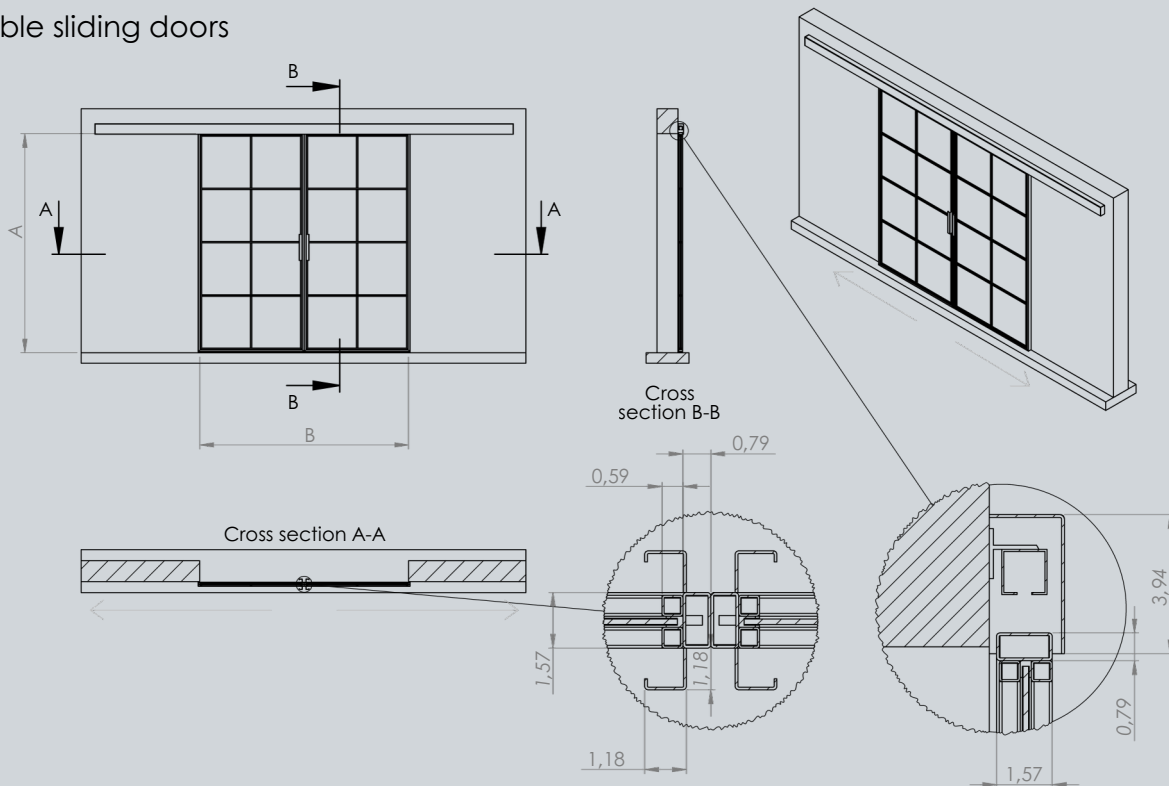
Double Sliding Door

Sliding system | Space-saving | Soft-close available

Designed for wider openings, double sliding doors offer a refined, space-saving solution with smooth, soft-close operation. Their symmetrical layout enhances flow while maintaining light and openness.



Double sliding doors



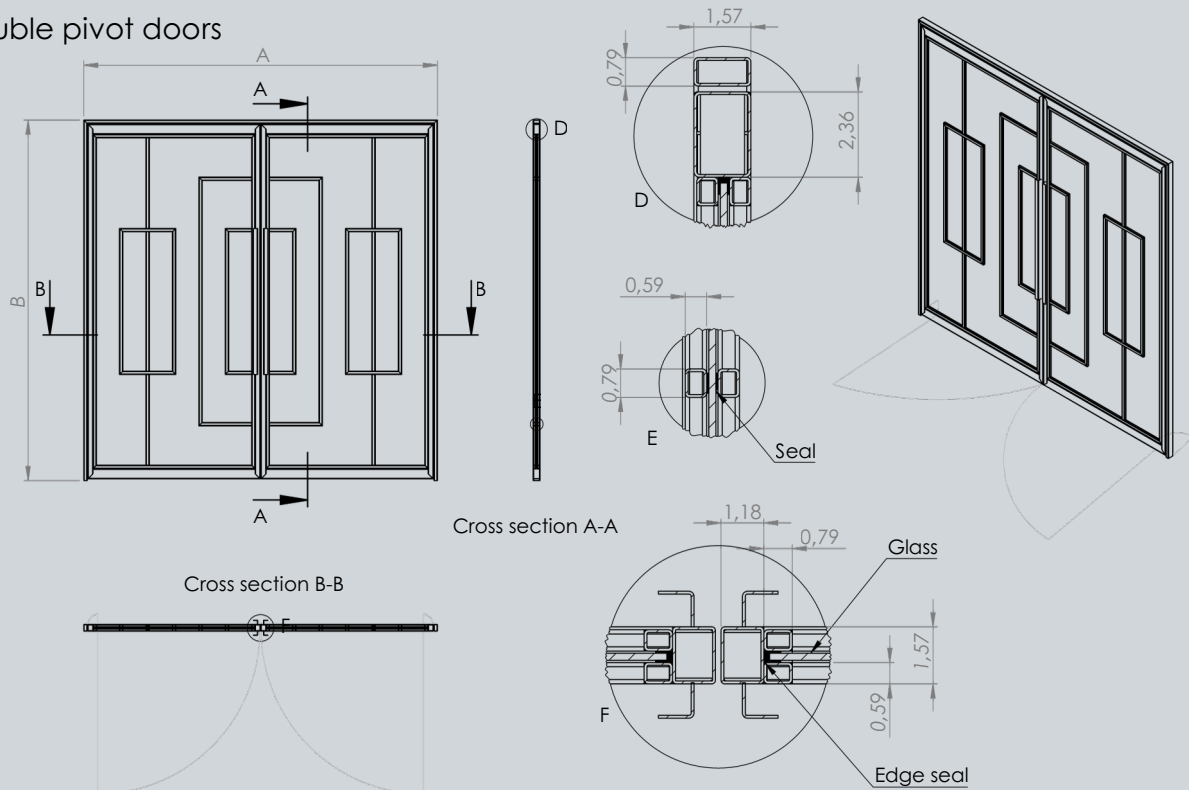
Pivot Door

Pivot system | 180° opening | Statement design

Pivot doors are mounted on a concealed top and bottom axis, opening in both directions. They provide an ultra-modern look and allow for the creation of exceptionally wide door panels.



Double pivot doors



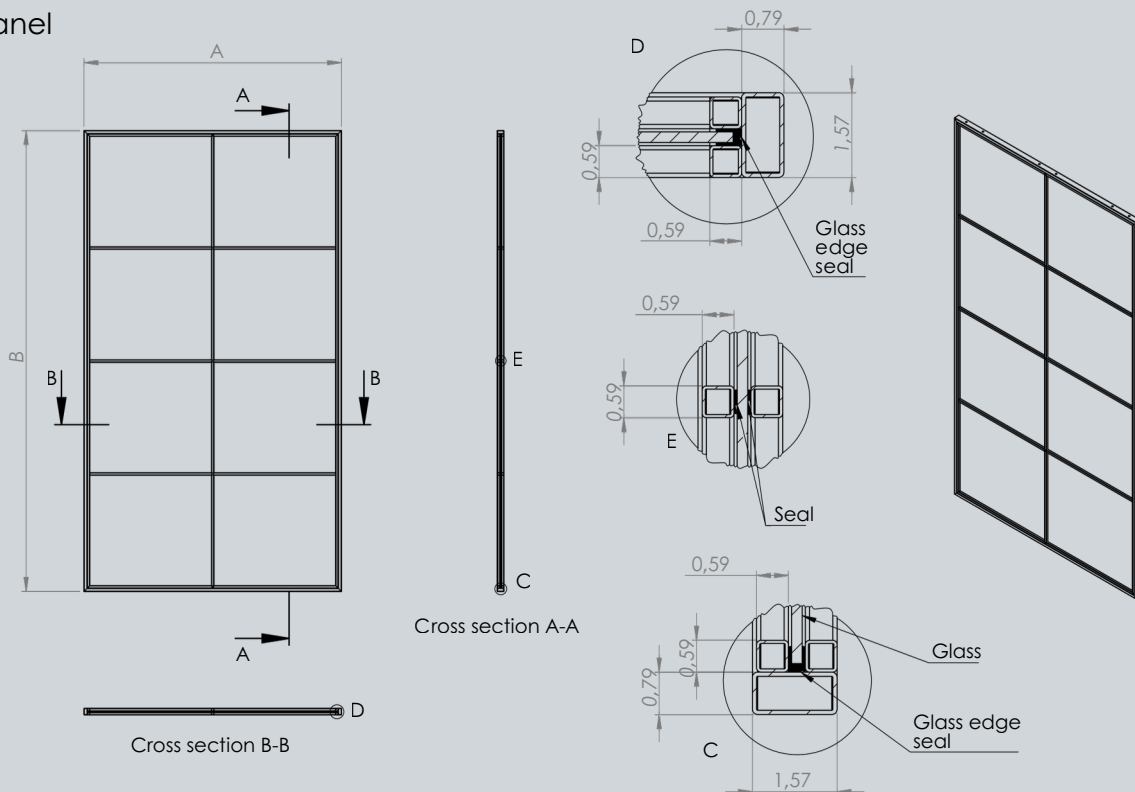
Fixed Partitions

Fixed system | Full-height partitions | Maximum light

Fixed partitions designed to define space while preserving light and visual continuity. Crafted from the same ultra-slim steel profiles as our doors, they offer clean, architectural lines and flexible configurations in clear, frosted, or colored glass.



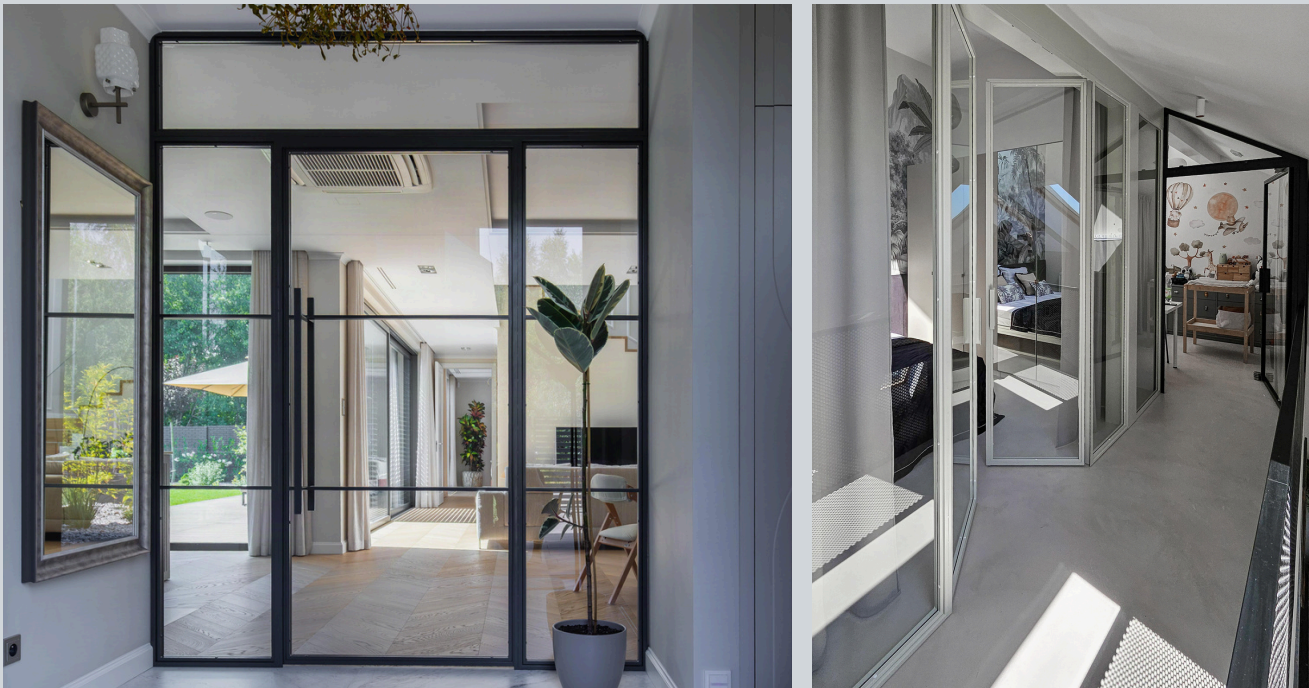
Fix panel



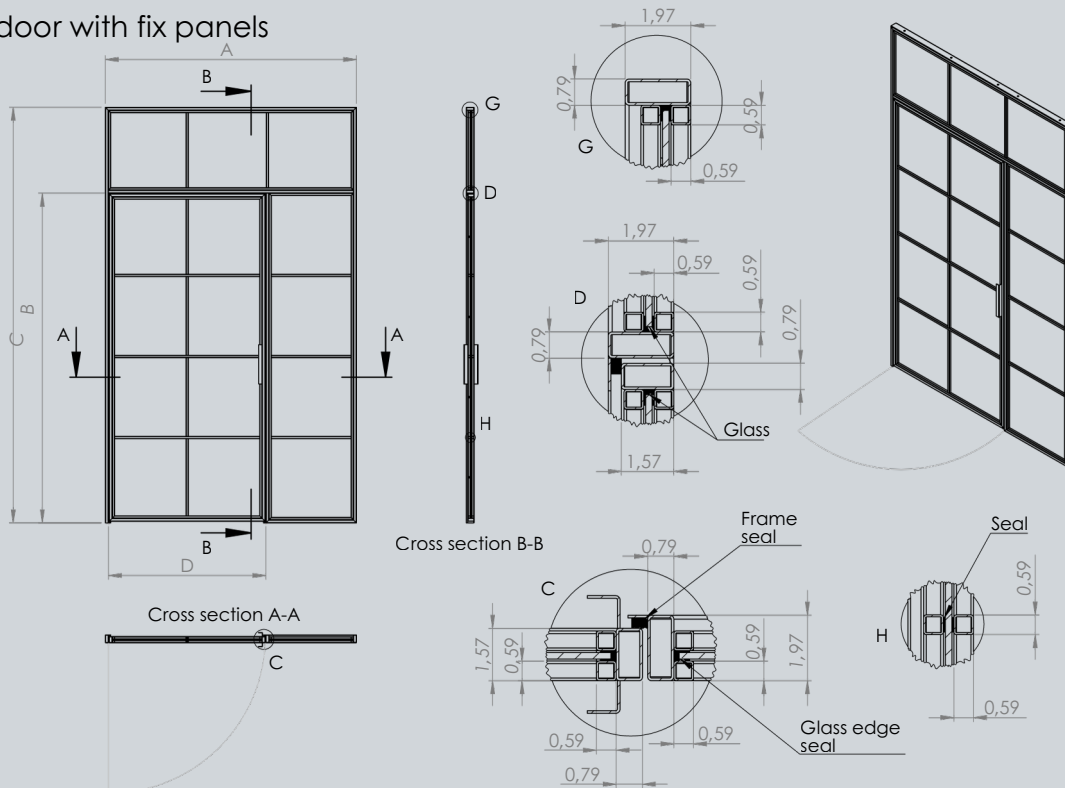
Hinged Door with Fix Panels

Combined system | Fixed + Hinged/Sliding | Flexible layouts

Partitions with integrated doors. Advanced systems that combine fixed partitions with hinged or sliding doors, offering flexible solutions for ambitious interior designs, supported by full project guidance.



Hinged door with fix panels

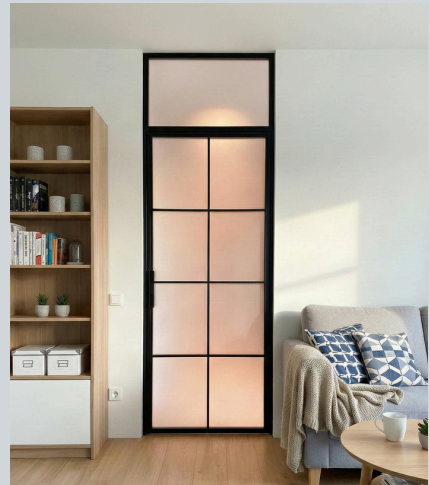


Powder Coating & Colors

Powder coating is an electrostatic process of applying dry paint to metal, followed by curing in an oven. Compared to traditional liquid painting, it offers significantly higher durability, improved material efficiency (up to 95% paint usage vs. 50–70% in conventional methods), and enhanced environmental performance. The finish is resistant to scratches, impacts, and weather conditions.

Color Options

Each door can be finished in any color from the RAL palette. Available options include standard colors (black, white, greys), a full range of over 2000 shades, as well as special finishes such as gradients, metallic effects, and various textures. All colors are available in both matte and gloss finishes.



Transparency Tailored to Your Needs

Glass is the essence of loft-style structures. It defines the character of the interior, influencing how much light and privacy you achieve in your home or office. Our offer includes a wide range of glazing options — from crystal-clear panels, through decorative textures, to safe laminated glass.



Clear



Tinted Graphite



Tinted Bronze



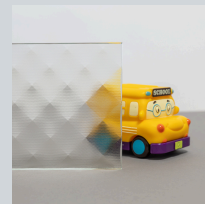
Fluted



Visiosun



Tinted Fluted



Master Soft



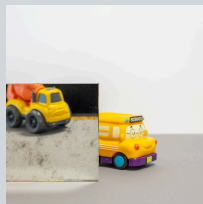
Wired



Mirror



Antique Morana Mirror



Antique Silver Mirror



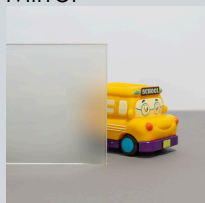
Gold Mirror



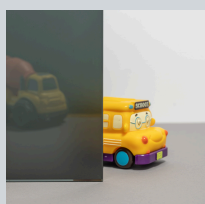
Antique Gold Mirror



Sandblasted



Frosted



Back-Painted Glass

Details That Complete the Design: Hardware & Accessories

Details make the difference. Carefully selected hardware enhances both the design and everyday comfort, combining craftsmanship with modern precision.



P1 - Standard Pull



P2 - Loft P Pull



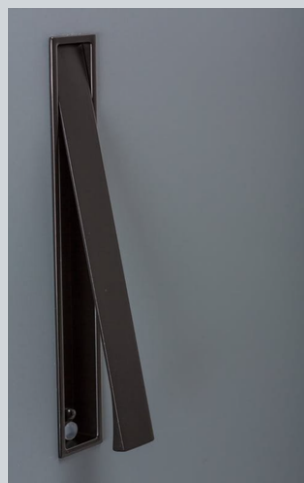
P3 - Loft Slim Pull



P4 - Loft H Pull



H1 - Standard Lever



H2 - Edge Pull



H3 - Flush Pull



Send us your drawings - we'll develop your system.

We provide technical solutions, shop drawings,
and full system coordination.

START YOUR PROJECT WITH US

889 N Larch Ave
Elmhurst, IL 60126

T +1 (630) 758 1740

E info@craftwoodproducts.com

W www.craftwoodproducts.com

